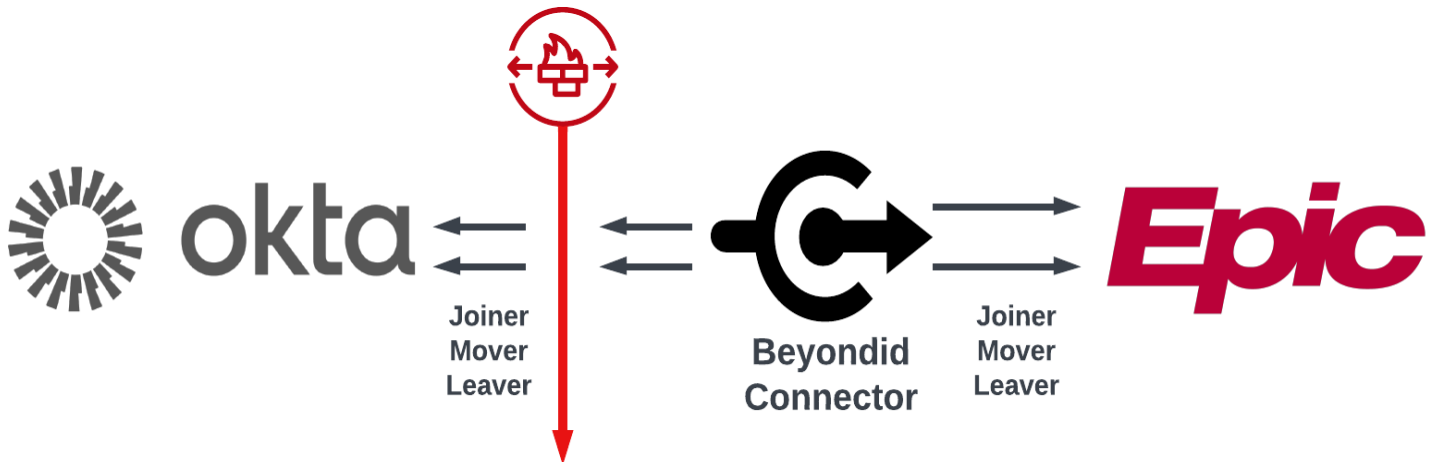


BeyondID

EPIC WORKFORCE CONNECTOR



Provisioning

Provision and de-provision users and providers; and link user with provider record

User Sync

Near real-time data sync between the systems helps keeps your data up to date

Templates

Seamlessly manage user templates, sub-templates and provider blueprints

Deactivation

Centralized deactivation of user and provider per your business policies

Support

Managed integrations provider for both on-prem and the cloud

BENEFITS

- **Streamlined Operations:** Our integration framework simplifies complex Epic Systems EMR integration processes, reducing manual efforts and the risk of errors
- **Enhanced Data Accuracy:** Achieve data consistency across your ecosystem by seamlessly synchronizing information on EPIC system and other systems like AD
- **Cost Savings:** Reduce operational costs by automating routine tasks and processes, thus improving overall efficiency
- **Real-Time Updates:** Keep your data up-to-date in real-time, ensuring that all stakeholders have access to the latest information
- **Scalability:** Our solution is scalable, accommodating your business growth and evolving integration needs

ABOUT BEYONDID

BeyondID is the managed identity solutions provider trusted by leading enterprise organizations to bring their digital identity strategies to life. We provide our customers with identity security services and solutions that help enhance their security posture, deliver improved user experiences, increase productivity, and reduce costs.

For more information: Info@BeyondID.com

Visit BeyondID.com